

### Auto European Type Micro Relay

CHINT® Automotive is an automotive relay manufacturer and supplier in China. We have been specialized in automotive relay over twenty years. CHINT® Auto European Type Micro Relay is developed for European market. Our products supplies for almost all brand of Chinese truck, Daimler & John Deere with OEM quality and competitive price. We look forward to becoming your long-term partner in China.

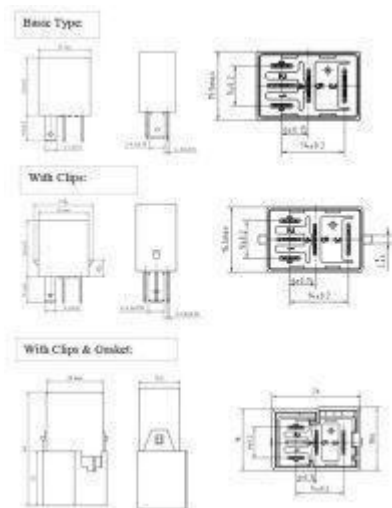


	<b>Auto European Type Micro Relay</b>	<b>Product Specification Intro</b>
		<b>ZTV-6 Series</b>
<b>Description</b>		
<p>CHINT® Auto European Type Micro Relay are universal for almost European brand vehicles, such as commecial vehicle,agricultural vehicle,construction machinery.</p> <p>A smaller size compare to universal relay, a standard terminal distribution.</p> <p>100% Automatic line production</p> <p>A subsitutes for OMRON, TECO, PANASONIC relay etc..</p> <p>Options are as follow:</p> <p>1. Appearance:</p> <p>Without clips: normally assembled in a fuse box;</p> <p>With clips: designed to increase the insertion and extraction force, normally assembled in a fuse box;</p> <p>With clips and gasket: Use for individual mounting to increase the water proof of connection.</p> <p>2. Normally Open type: Relay normally open and when triggered by input, then contact close, normally use for simple function.</p> <p>3. Convert type: Relay can switch between two out-put.</p> <p>4. Color: Black, Gray etc...</p>		
<b>Electrical Specification</b>	<b>Application:</b>	
Rated Working Voltage: 12V or 24V		
Rated Current: 30A or 30A/20A		
Normally Open (N/O) / Convert (CVT)		
Isulation Resistance≥100MΩ ( 500VDC )		
Pull-in Voltage:≤8.5V or 17V		
Release Voltage: ≥1.2V or 2.4V		
Life Endurance: 100,000 cycles		

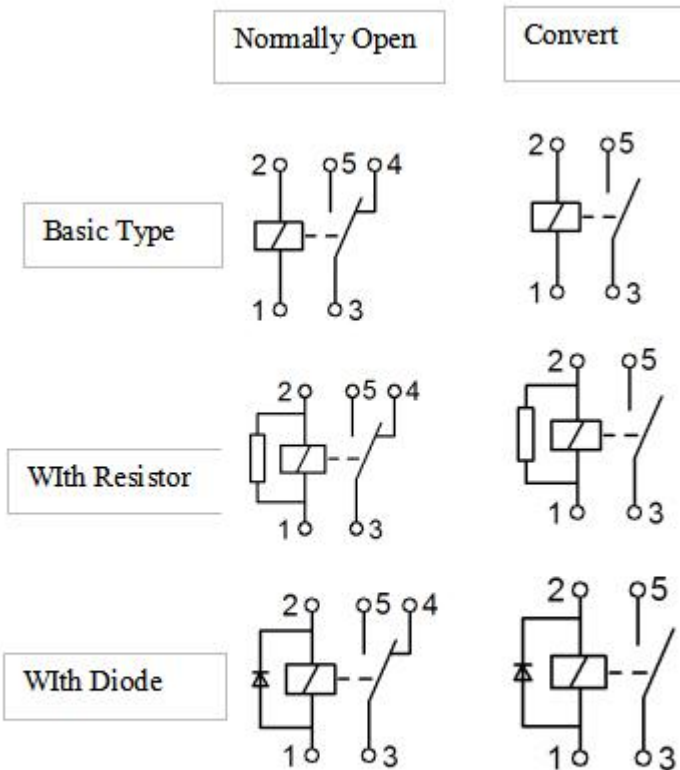
Working Temperature: -40°C-85°C

Accord with RoHS, ELV, QC/T413-2002

### Mounting Diagram:



### Electrical Diagram:



### Ordering Information:

Model	Elec-Spec.	Appearance	Performance	Contact Feature
JD1926A	12V, 30A/20A	Basic Type	Resistor	5P, CVT
JD2926A	24V, 30A/20A	Basic Type	Resistor	5P, CVT
JD1926A	12V, 30A/20A	Basic Type	Diode	5P, CVT
JD2926A	24V, 30A/20A	Basic Type	Diode	5P, CVT
JD1927A	12V, 30A	Basic Type	Resistor	4P, N/O
JD2927A	24V, 30A	Basic Type	Resistor	4P, N/O
JD1927A	12V, 30A	Basic Type	Diode	4P, N/O
JD2927A	24V, 30A	Basic Type	Diode	4P, N/O
JD1926AT	12V, 30A/20A	With Clips	Resistor	5P, CVT
JD2926AT	24V, 30A/20A	With Clips	Resistor	5P, CVT
JD1926AT	12V, 30A/20A	With Clips	Diode	5P, CVT
JD2926AT	24V, 30A/20A	With Clips	Diode	5P, CVT
JD1927AT	12V, 30A	With Clips	Resistor	4P, N/O
JD2927AT	24V, 30A	With Clips	Resistor	4P, N/O
JD1927AT	12V, 30A	With Clips	Diode	4P, N/O

JD2927AT	24V, 30A	With Clips	Diode	4P, N/O
JD2926AE	24V, 30A/20A	With Clip & Gasket	Resistor	5P, CVT
JD2927AE	24V, 30A/20A	With Clip & Gasket	Resistor	5P, CVT
JD2926AE	24V, 30A/20A	With Clip & Gasket	Diode	5P, CVT
JD2927AE	24V, 30A/20A	With Clip & Gasket	Diode	5P, CVT