



Truck Air Horn

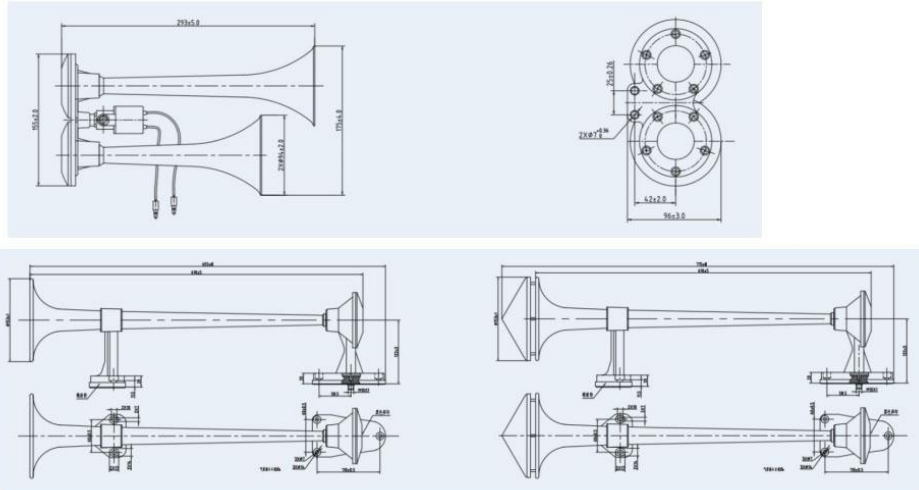
CHINT® Automotive is an truck air horn manufacturer and supplier in China. We have been specialized in automotive Horn over twenty years. CHINT® automotive Horn mainly includes Snail Horn, Disc Horn, Air Horn for OEM and Aftermarket; Have obtained CCC certificate of China and E-mark certificate. Be able to develop various connectors, pins even horns as per your requirements and brand &

packaging can be customizable as well.

CHINT® Truck Air Horn utilize the solenoid valve to control the incoming air to blow the horn.

Our products supplies for almost all brand of Chinese truck, Daimler & John Deere with OEM quality and competitive price. We look forward to becoming your long-term partner in China.

	Truck Air Horn	Product Specification Intro
		ZTY Series
Description		
<p>CHINT® Truck Air Horn is general type Air horn which utilize the solenoid valve to control the incoming air to blow the horn</p> <p>1> More than 240 hours of salt spray duration due to the Stainless Steel Surface;</p> <p>2> Vibrating diaphragm with stainless steel material;</p> <p>3> 100,000 cycles life endurance due to Electromagnetic valve.</p> <p>Supply for: Daimler, Isuzul, etc..</p>		
Electrical Specification		Applications
Rated Working Voltage: 12V, 24V		
Rated Current: 5A, 3.5A		
Sharp Tone: 520±30Hz		
Deep Tone: 420±30Hz		
Sound Pressure Level (SPL): 105-118dB(A)		
Diameter: φ94mm, φ130mm, φ134mm		
Life Endurance: 100,000 cycles		
Electrical Diagram:		



Ordering Information

Model	Elec-Spec.	Type	Sharp Tone	Deep Tone	SPL	Diameter
ZTY101	12V,5A	Single/Double Tone	520±30HZ	420±30HZ	105-118dB	Φ94MM
ZTY101	24V,3.5A	Single/Double Tone	520±30HZ	420±30HZ	105-118dB	Φ94MM
ZTY102	24V,3.5A	Single Tone	180±50HZ		105-118dB	Φ134MM